



TOMOS

LX

SPARE PARTS MANUALS



Horia

Contents

CRANKCASE,CYLINDER,PISTON	4
CRANKSHAFT, CLUTCH	6
COUNTERSHAFT, MAINSHAFT	8
STRARTER MECHANISM-kick.....	10
STRARTER MECHANISM-pedal	12
MAGNETO ASSEMBLY, ELECTRIC STARTER	14
OIL PUMP, OIL TANK	16
CARBURATOR, INTAKE SILENCER	18
EXHAUST, SEAT, FUEL TANK	20
SIDE COVER, FARING	22
FRAME, REAR FORK, CENTRAL STAND	24
DECALS	26
FRONT FORK.....	28
HANDELBAR, SPEEDOMETER, MIRROR.....	30
FRONT WHEEL.....	32
REAR WHEEL.....	34
ELECTRIC PARTS.....	36

TYPE-MODEL

236770 TOMOS LX-KICK
236775 TOMOS LX-PEDAL

MODELS

A
B

Vin-nr. is denominated from 4 to 11. nr. for EU directive

LEGEND FOR ADDITIONALLY MARKED PARTS

a,b... option..(genuine parts)

1,2... various parts, which have same part nr. as parts on group picture

G base coat (ground coat) painted parts

L color painted parts

C chromed parts

M optional parts (parts which are used for another type of motor vehicle)

N unprotected parts (plastic parts)

P parts used in case of need (not mandatory by Bill of Material-BOM)

Z Interchangeable parts (parts which could be used instead of listed parts in case listed ones are not on stock)

PAINTED PARTS (PROTECTED) PARTS

241000LAK – color painted parts; please provide information of color

241000X91 – black painted parts; black-temperature resistant color

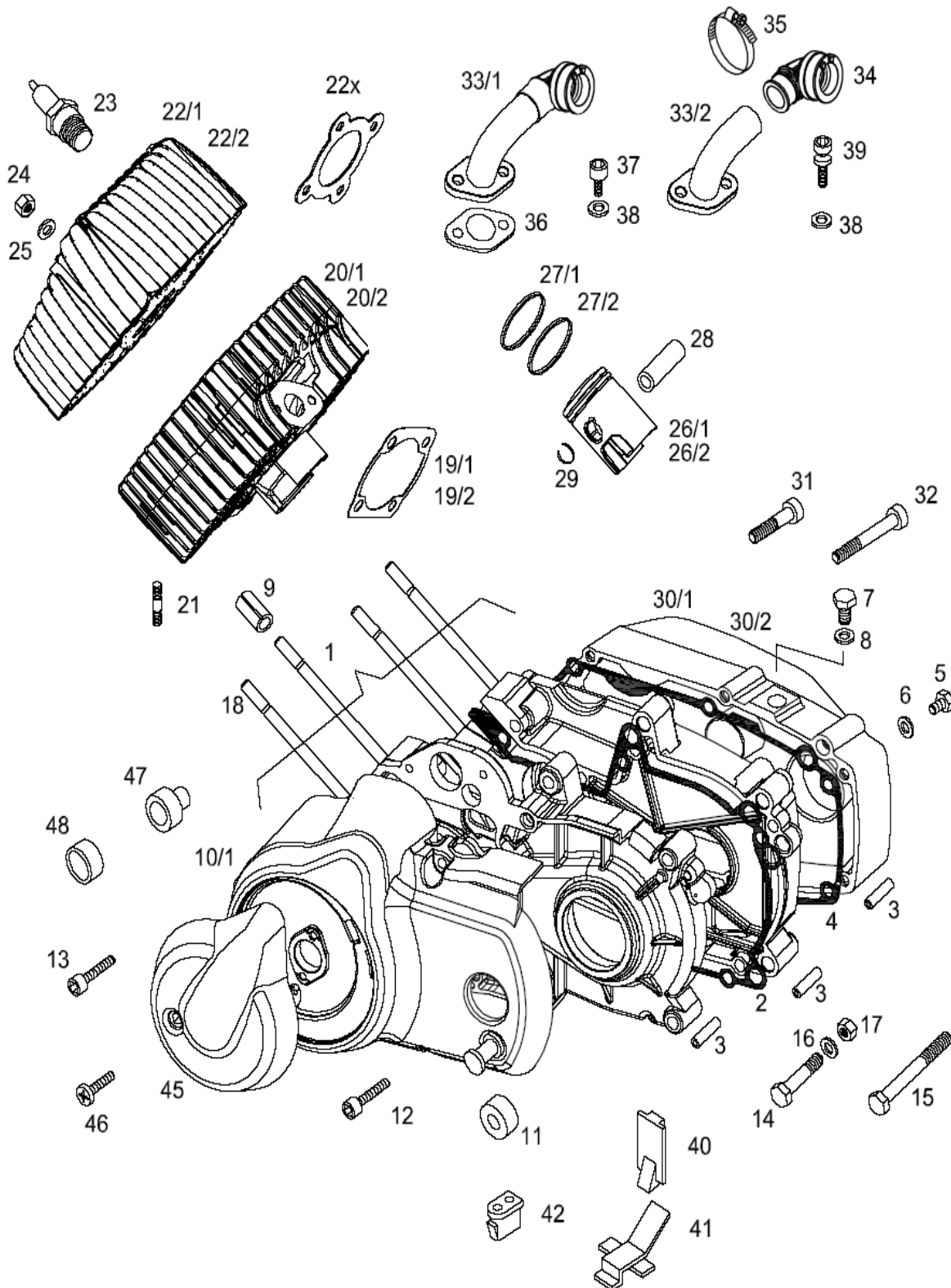
241000C51 - chromed - lights

EXAMPLE FOR CHANGE

01/00 do - parts was built on vehicle till januar 2000

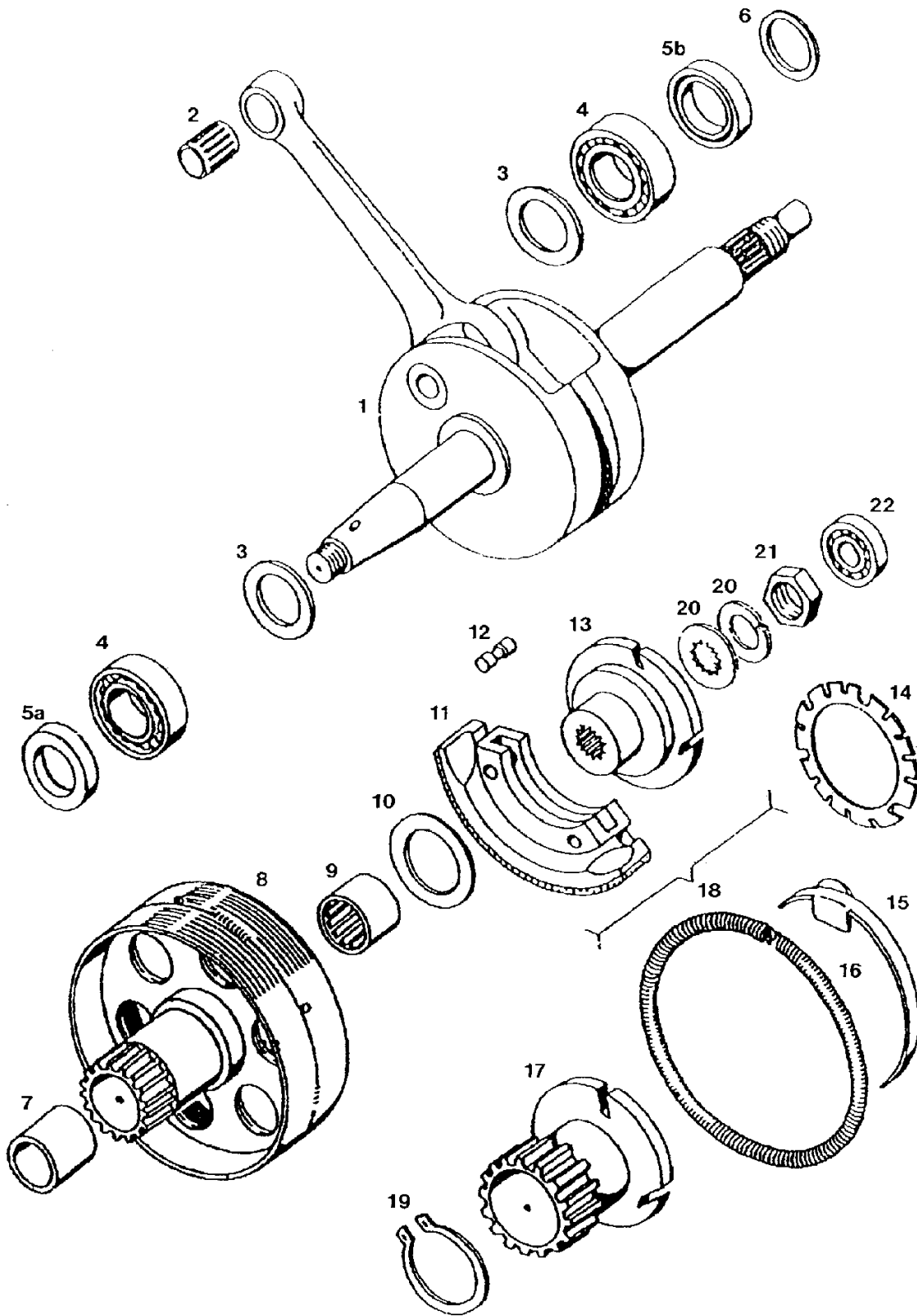
11/01 od - parts we built on vehicle from november 2001

CRANKCASE,CYLINDER,PISTON



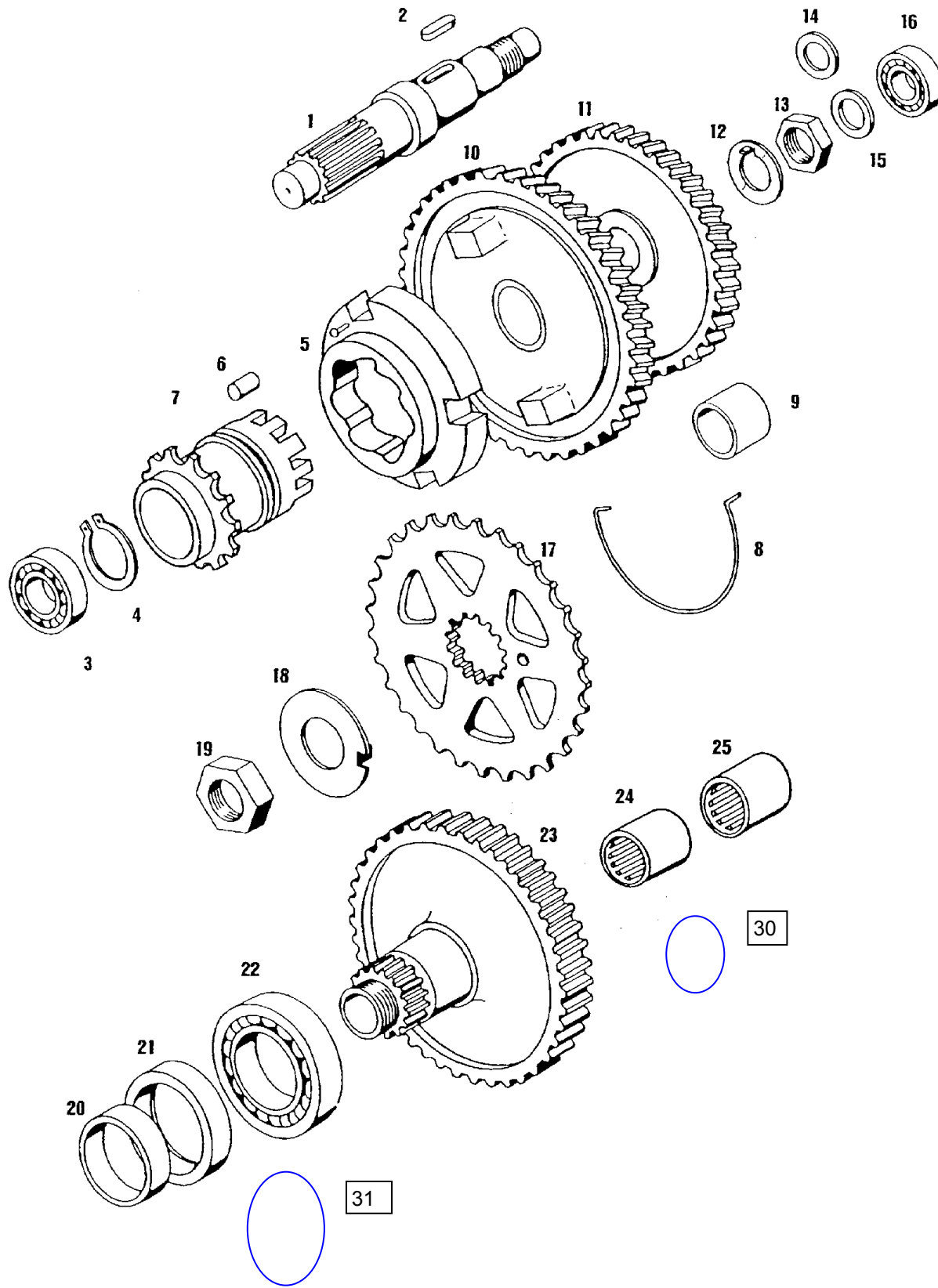
No.	*	Part No.	Denomination	A	B
		237113	ENGINE 45 km/h-BLACK-KICK	1	.
		237077	ENGINE 45 km/h-BLACK-PEDAL	.	1
1	1	230940	CRANKCASE-CPL (with parts 2-8,18,60,47 and bearings)	1	.
1	2	222098	CRANKCASE-CPL-PEDAL	.	1
2		222098	CRANKCASE GASKET	1	1
3		223440	CENTERING BUSH 9,8X16	6	6
4		232971	RIGHT COVER GASKET	1	1
5		027264	SCREW M6X10	1	1
6		230172	SEAL RING A6X12	1	1
7		026311	SCREW M8X10	2	2
8		230173	SEAL RING A8X14	2	2
9		233718	ELASTIC PIN 8x16	1	1
10		230859	MAGNETO COVER BLACK	1	1
11		200294	RUBBER RING	1	1
12		026593	ALLEN SCREW M6X35	2	2
13		026636	ALLEN SCREW M6X40	1	1
14		026041	SCREW M8x1X90	2	2
15		026043	SCREW M8x1X80	2	2
16		31933	WASHER 8	5	5
17		030049	NUT M8X1-SELFLOCKING	4	4
18		233716	CYLINDER STUD BOLT M6/M7X115	4	4
19		233714	CYLINDER GASKET-0,4 mm	1	1
20		233711	CYLINDER WITH PISTON A56-B CPL	1	1
21		208201	STUD BOLT	2	2
22		233702	CYLINDER HEAD	1	1
23		044617	SPARK PLUG BR8ES, B.SUPER FE80R	1	1
24		236639	NUT M6-8 DIN 986 A2F	4	4
25		031509	WASHER 6	4	4
26		233709	PISTON A56-B (with parts 27-29)	1	1
27		233707	PISTON RING- UPPER	1	1
27		233708	PISTON RING- BUTTOM	1	1
28		233762	WRIST PIN 12 mm	1	1
29		233763	SPRING CIRCLIP 12 mm	2	2
30		233717	CYLINDER HEAD GASKET A56-0,25	1	1
31		026573	ALLEN SCREW M6X25	14	14
32		026582	ALLEN SCREW M6X65	1	1
33		233721	INTAKE MANIFOLD	1	1
36		233715	INTAKE MANIFOLD GASKET	1	1
37		026690	SCREW M6X16 (ISO7380)	2	2
38		031932	WASHER 6	2	2
40		230812	BARRIER PIPE- UPPER	1	1
41		230968	BARRIER PIPE- BUTTOM	1	1
42		230811	RUBBER	1	1
45		233411	OIL PUMP COVER -PLASTIC	1	1
46		233368	SCREW PT*KA30X14*	2	2
		236459	GASKET SET A56	1	1

CRANKSHAFT, CLUTCH



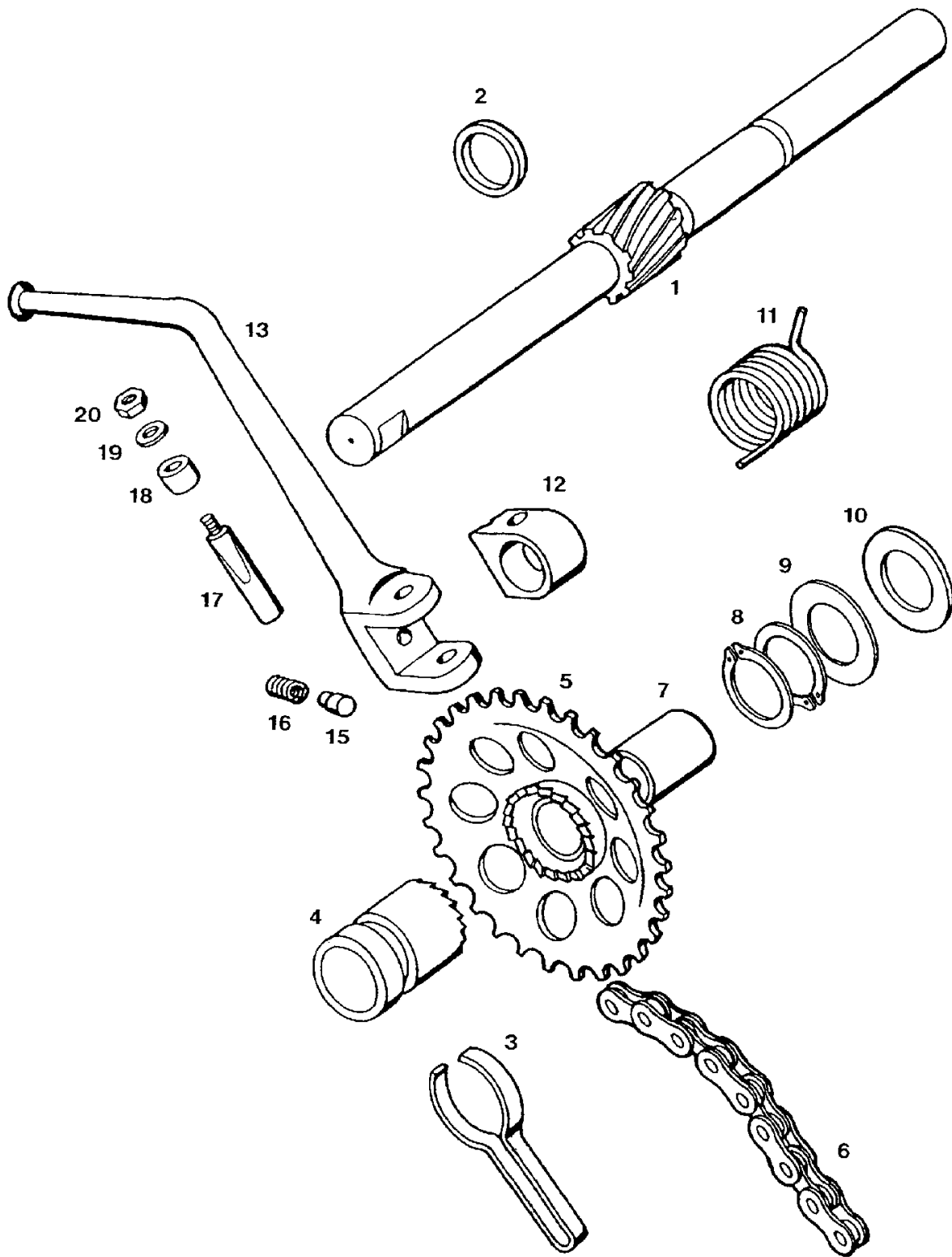
No.	*	Part No.	Denomination	A	B
1		223421	CRANKSHAFT - A35	1	1
2		035548	NEEDLE BEARING 12X15X15	1	1
3	P	212957	SHIM 0,10MM	1	1
3	P	212958	SHIM 0,15MM	1	1
3	P	212959	SHIM 0,20MM	2	2
4		035070	BALL BEARING 6203 C3	2	2
5		036555	SEAL RING A17X35X7	2	2
6		223468	THRUST WASHER 14X20X2	1	1
7		223470	BEARING BUSH	1	1
8		223423	GEAR WITH DRUM CPL. - A35	1	1
9		035554	ROLLER CLUTCH	1	1
10		209073	SHIM 0,30MM	1	1
10	P	209119	SHIM 0,50MM	1	1
11	1	223432	CLUTCH SEGMENT 1ST. GEAR	3	3
11	2	223562	CLUTCH SEGMENT 2ND. GEAR	3	3
12		223434	CLUTCH PIN	6	6
13		223429	CLUTCH HUB 1ST. GEAR	1	1
14		209002	SPRING PLATE	1	1
15		209039	BRAKE STRIP	6	6
16	1	209013	CLUTCH SPRING	1	1
16	2	223769	CLUTCH SPRING	1	1
17		223435	DRIVE GEAR (2.ND GEAR)	1	1
18		223436	CLUTCH CPL. 2.ND GEAR (REV	1	1
18		227849	CLUTCH CPL. 1ST. GEAR (REV	1	1
19		032083	CIRCLIP	1	1
20	Z	031848	SPRING RING B10	1	1
20		031978	THRUST WASHER B10	1	1
21		215487	NUT M10X1	1	1
22		035202	BALL BEARING 608	1	1
		227459	CONNECTING ROD CPL. (12MM)	.	.

COUNTERSHAFT, MAINSHAFT



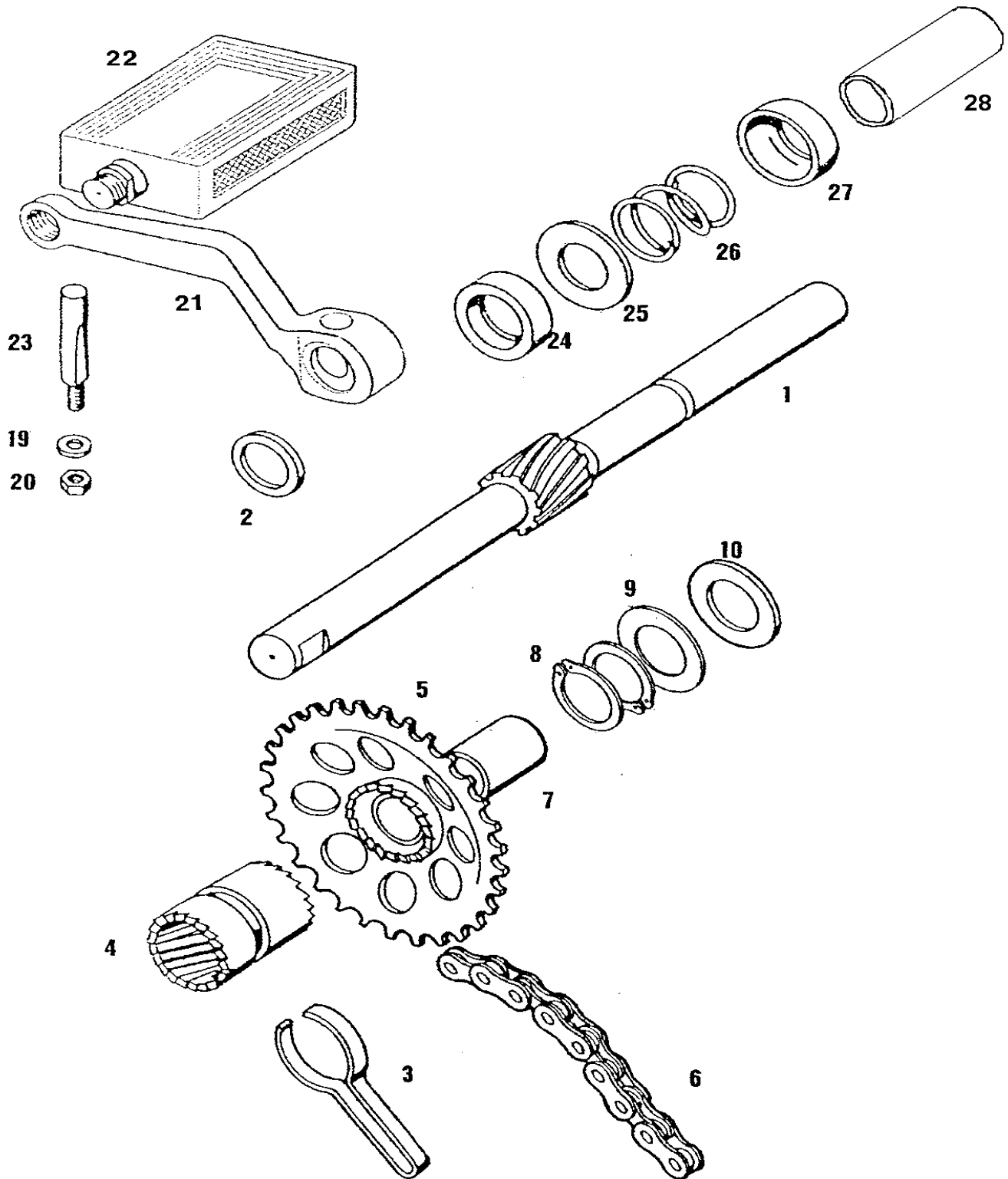
No.	*	Part No.	Denomination	A	B
1		223458	COUNTERSHAFT	1	1
2		044835	WOODRUFF KEY 5X5X12	1	1
3		035072	BALL BEARING 6201	1	1
4		032077	CIRCLIP	1	1
5		223463	CAGE	1	1
6		209063	ROLLER D5X8	8	8
7		222209	CAGE	1	1
8		223121	COUNTERSHAFT SPRING	1	1
9		035600	BEARING BUSH	1	1
10		227194	1ST. SPEED GEAR - A35	1	1
11		223461	2ND. SPEED GEAR - A35	1	1
12		209062	PROTECTIVE WASHER	1	1
13		200141	NUT M14X1	1	1
14		223469	THRUST WASHER 2,0MM	1	1
15	P	209075	SHIM 0,20MM	1	1
15	P	209076	SHIM 0,50MM	1	1
16		035031	BALL BEARING 6000	1	1
17		209078	FRONT SPROCKET Z=26	1	1
18		209079	PROTECTIVE WASHER	1	1
19		209080	NUT M22X1	1	1
20		209077	DISTANCE BUSH	1	1
21		036620	SEALING RING A35X47X7	1	1
22		035037	BALL BEARING 6006	1	1
23		223456	DRIVE SHAFT CPL. - KICK	1	1
24		035502	NEEDLE BEARING SCE 109P	1	1
25		035503	NEEDLE BEARING SCE 108	1	1
30		033006	O RING	1	1
31		033007	O RING	1	1

STARTER MECHANISM-kick



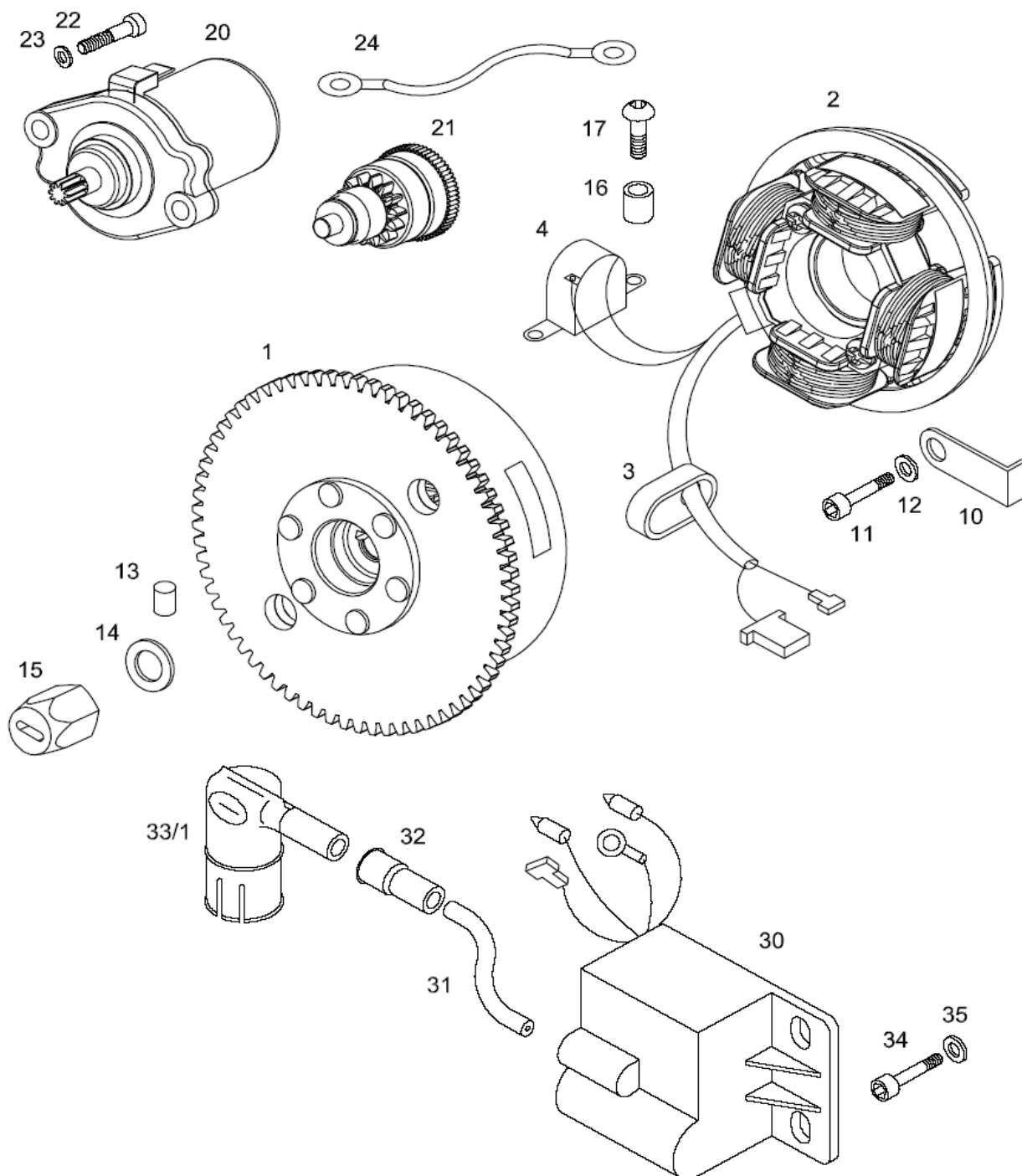
No.	*	Part No.	Denomination	A
1		223447	STARTER SHAFT	1
2		205702	THRUST WASHER	1
3		209048	BRAKE SPRING	1
4		209047	CLAW COLLAR	1
5		217584	CHAIN SPROCKET Z=25	1
6		217582	CHAIN (32 ROLLERS)	1
7		223448	DISTANCE BUSH	1
8		032073	STARTERSHAFT RING 16	2
9		206391	SHIM 0,50MM	1
10	P	209087	SHIM 0,02MM	3
10	P	200175	SHIM 0,50MM	1
		237189	KICK START LEVER CPL. (with parts 11 to 20)	1
11		223473	KICK START RETURN SPRING	1
12		221406	HUB	1
13		221405	KICK START LEVER	1
15		260216	THRUST BOLT	1
16		260217	KICKSTART SPRING	1
17		202726	KICKSTART PIN	1
18		202723	DISTANCE BUSH	1
19		202727	WASHER 7,4X14X2	1
20		031076	NUT M7	1

STRARTER MECHANISM-pedal



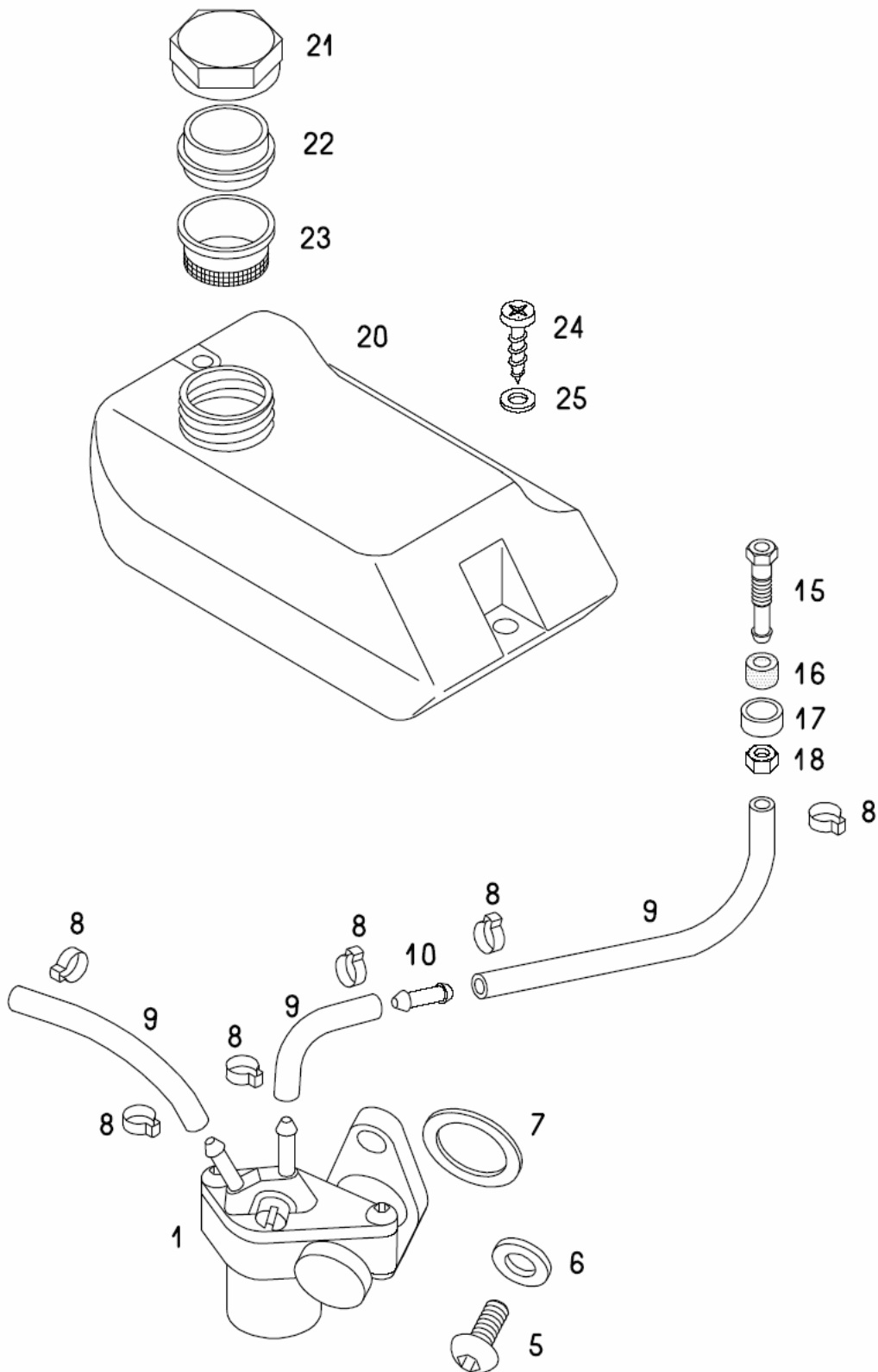
No.	*	Part No.	Denomination	B
1		230913	STARTER SHAFT-pedal	1
2		205702	THRUST WASHER	1
3		209048	BRAKE SPRING	1
4		209047	CLAW COLLAR	1
5		217584	CHAIN SPROCKET Z=25	1
6		217582	CHAIN (32 ROLLERS)	1
7		223448	DISTANCE BUSH	1
8		032073	STARTERSHAFT RING 16	2
9		206391	SHIM 0,50MM	1
10	P	209087	SHIM 0,02MM	3
10	P	200175	SHIM 0,50MM	1
19		200185	WASHER 7,4X14X2	1
20		031076	NUT M7	1
21		230291	PEDAL ARMS-par,black	1
22		222655	PEDAL-par	1
23		206714	PIN	1
24		200266	SEAL RING	1
25		209224	THRUST WASHER 1,0 mm	1
26		209099	SPRING	1
27		209096	CUP-bright	1
28		230915	DISTANCE TUBE	1

MAGNETO ASSEMBLY, ELECTRIC STARTER



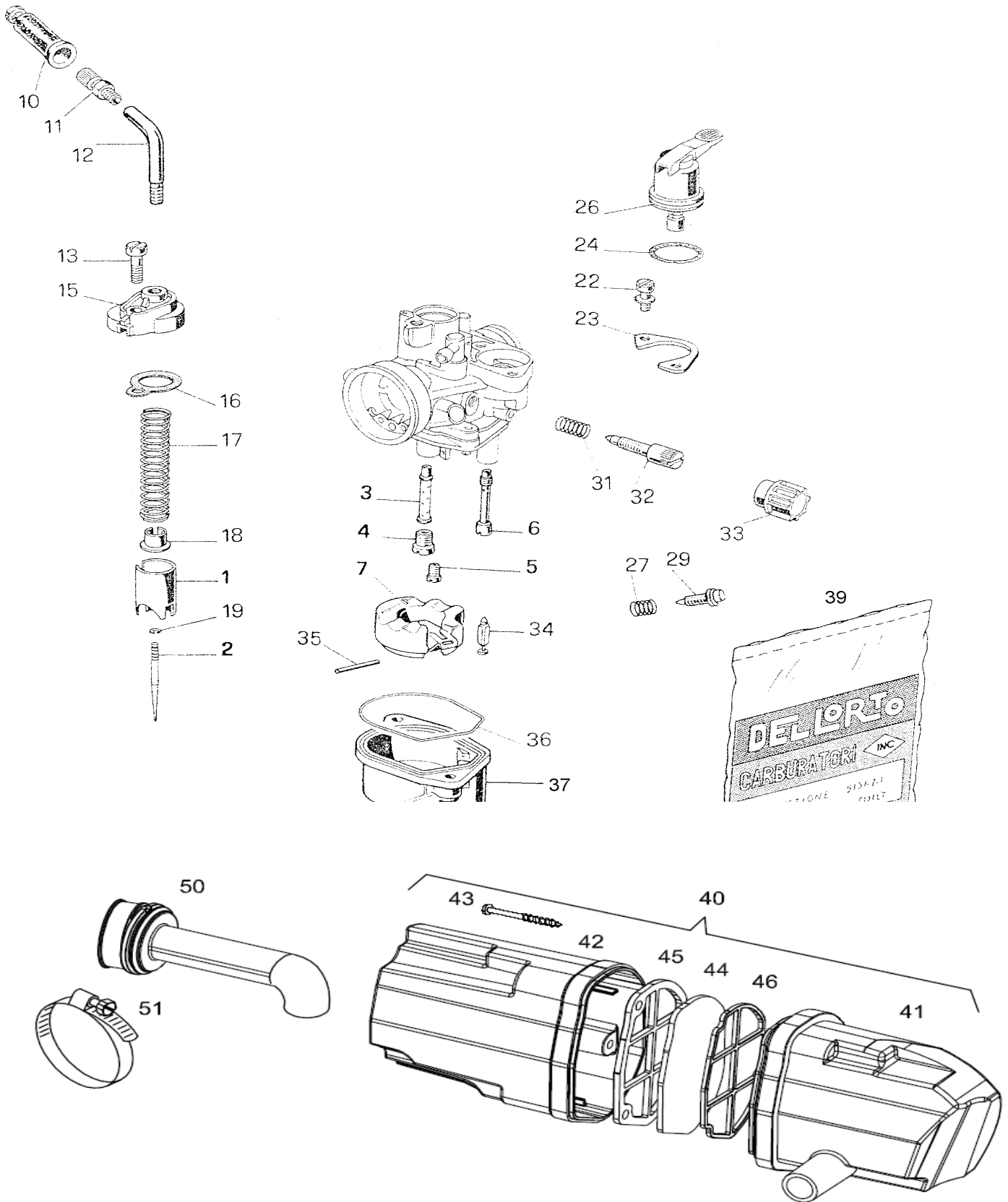
No.	*	Part No.	Denomination	A	B
		233720	MAGNETO ASSEMBLY CPL. (with parts 1- 4)	1	1
1		243101	FLYWHEEL	1	1
2		243100	BASE PLATE CPL.	1	1
3		224196	RUBBER INSERT PIECE	1	1
4		243102	PICK UP	1	1
10		230916	CLIP	1	1
11		026657	ALLEN SCREW M5x15	2	2
		291346	LOCTITE 243	.	.
12		031508	WASHER M5	2	2
13		200048	ROLLER D3x4	1	1
14		229918	WASHER d10,4 D 17,5 s 1,2	1	1
15		230813	OIL PUMP NUT M10x1	1	1
16		233719	DISTANCE TUBE	2	2
17		236389	SCREW FOR PICK UP	2	2
24		232967	GROUND WIRE	1	1
30		233729	ELECTRONIC	1	1
31		044528	SPARK PLUG CABLE (430mm)	m	m
32		210175	RUBBER PROTECTOR	1	1
33		206116	SPARK PLUG CAP	1	1
34		026701	SCREW M5x12 (ISO 7380)	2	2
35		031508	WASHER M5	2	2

OIL PUMP, OIL TANK



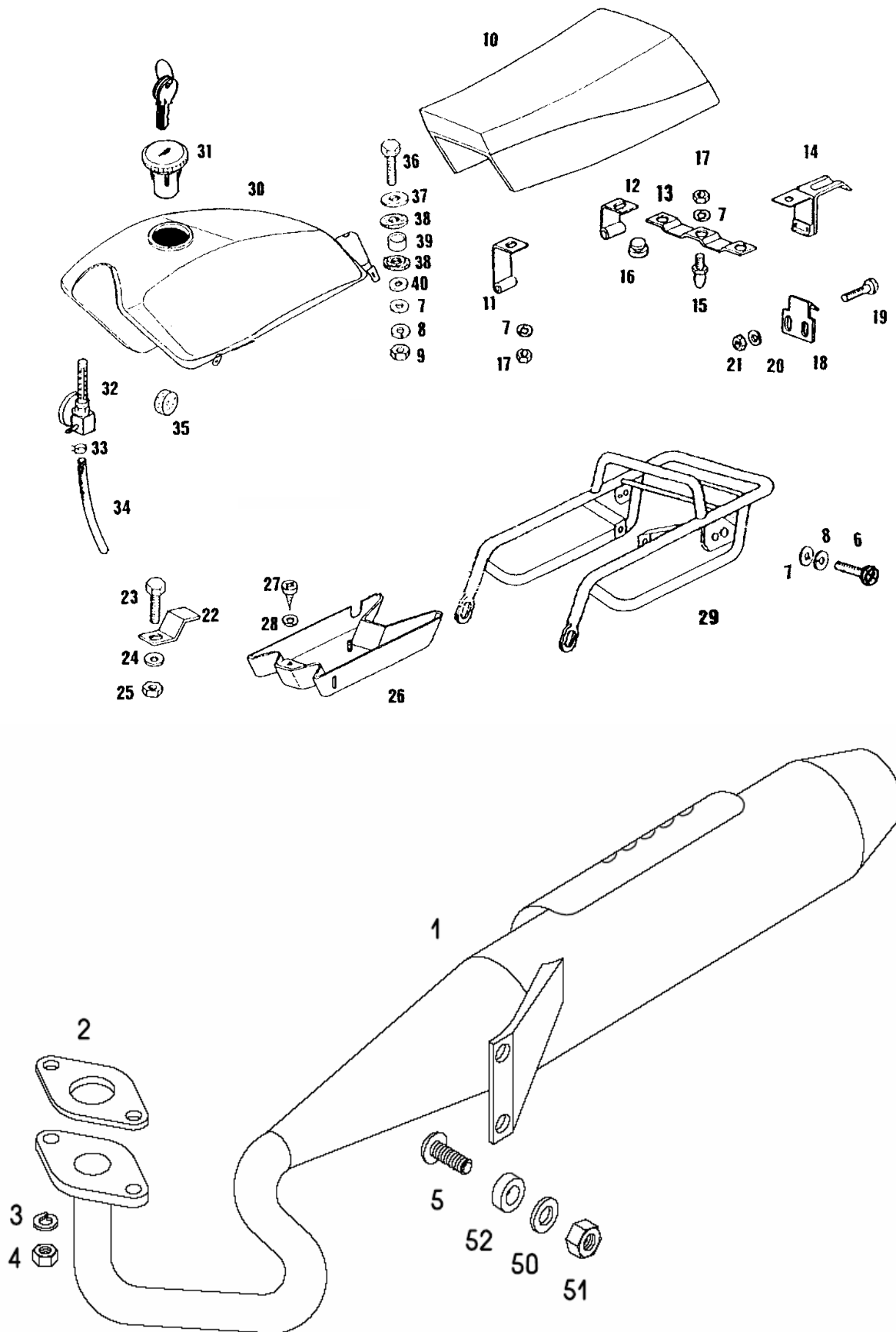
No.	*	Part No.	Denomination	A	B
1		236513	OIL PUMP CPL.	1	1
5		026697	SCREW M5X16	2	2
6		031867	LOCK WASHER 5	2	2
7	P	227393	SHIM 0,50MM	1	1
8		217313	FERRULE	6	6
9		044472	OIL LINE (PER UNIT) 320MM	m	m
10	1	044472	OIL LINE (PER UNIT) 250MM	m	m
10	2	233116	OIL LINE	1	1
10	3	044472	OIL LINE (PER UNIT)	m	m
15		217319	BANJO	1	1
16		227499	RUBBER WASHER	1	1
17		227498	WASHER CUP	1	1
18		031075	NUT M6	1	1
20		222396	OIL TANK - A35	1	1
21		208389	OIL TANK CAP	1	1
22		217321	RUBBER INSERT PIECE	1	1
23		217322	OIL FILTER	1	1
24		044419	SHEET SCREW 4,2X16	1	1
25		031930	WASHER 4	1	1
		209894	RUBBER GUIDE 9X17	1	1

CARBURATOR, INTAKE SILENCER



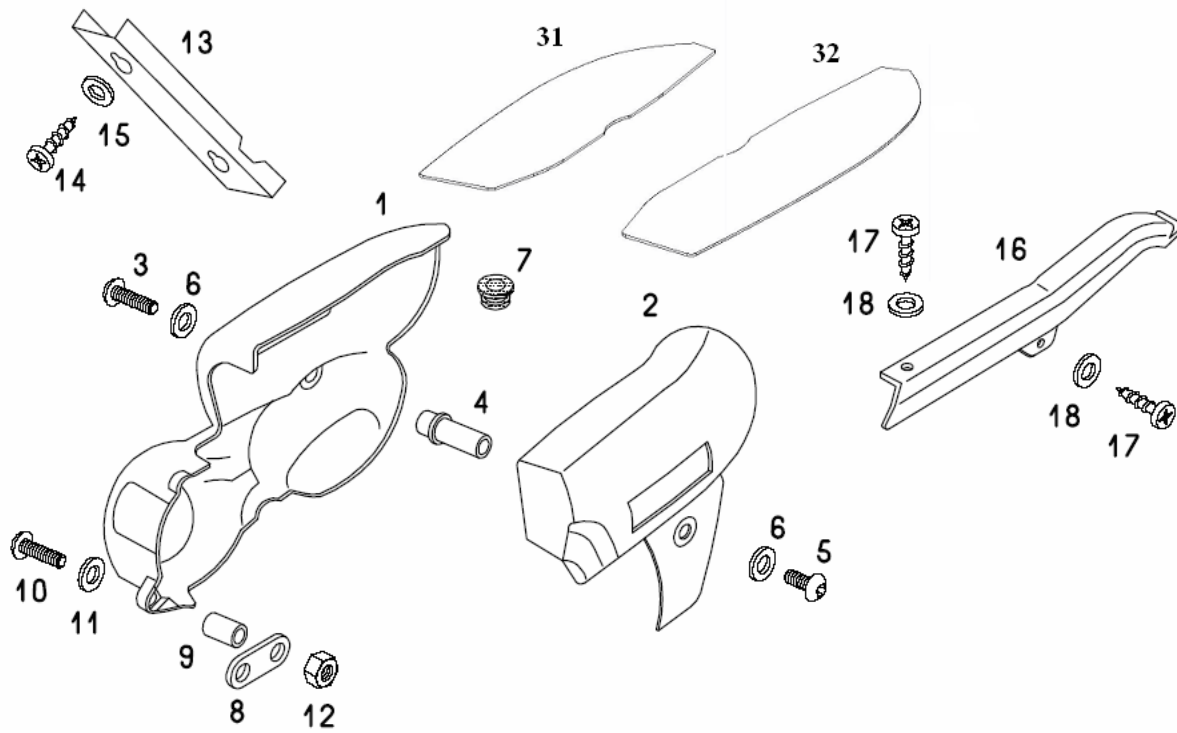
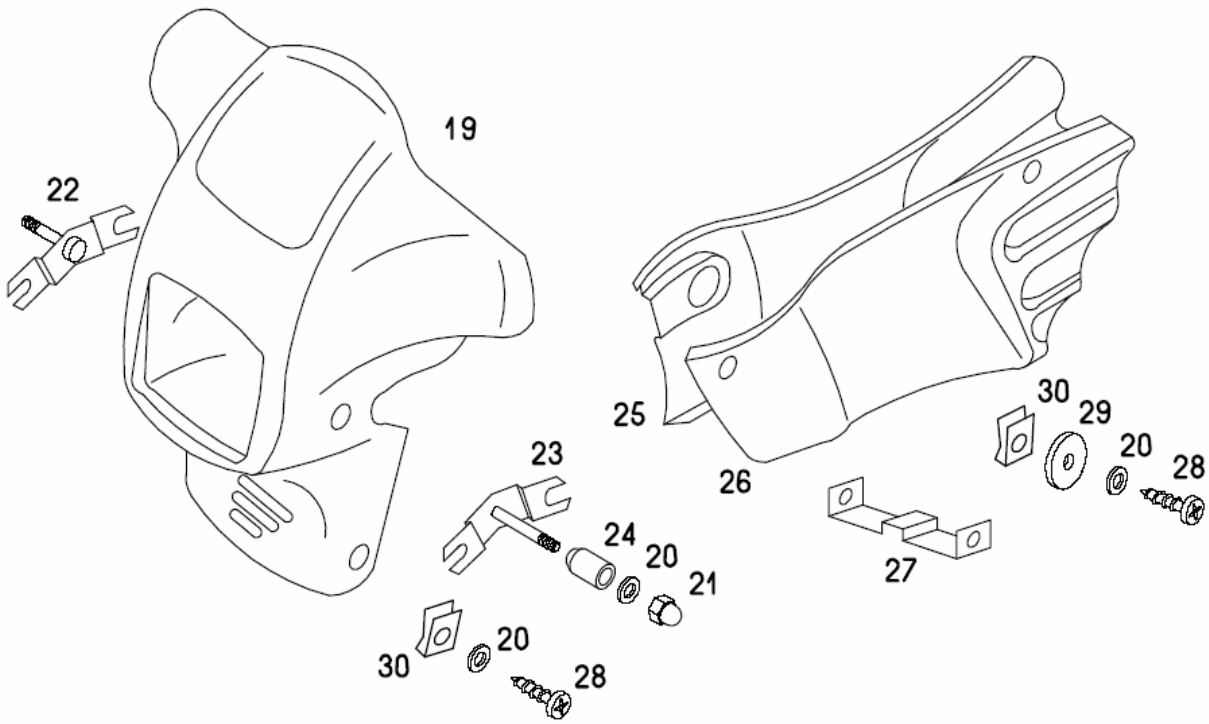
No.	*	Part No.	Denomination	A	B
	1	233730	CARBURATOR14 WITH PARTS 1-38 (DELL'ORTO)	1	1
1	1	243103	THROTTLE SLIDE 40	1	1
2		243104	NEEDLE A07	1	1
3		243106	NEEDLE HOUSING 209GA	1	1
4	1	243160	MAIN JET 55	1	1
5		243222	SECONDARY JET 25	1	1
6		243162	CHOCE YET40	1	1
7		243149	FLOAT WITH PARTS 7.34,35	1	1
12		243152	CONNECTION WITH PARTS 10-13,15-16	1	1
17		243120	SPRING	1	1
18		243121	HOLDER CIRCLIP NEEDLE	1	1
19		243122	CIRCLIP NEEDLE	1	1
26		243151	CHOKE MECHANISM CPL 22,23,24,26	1	1
29		243147	SCREW SECONDARY YET WITH PARTS 29,27	1	1
32		243148	ADJUSTING SCREW	1	1
37		243150	FLOAT CHAMBER 36,37	1	1
38		243134	FLOAT CHAMBER SCREW	2	2
39		236460	CARBURETOR GASKET SET (WITH PARTS 16,24,36)	.	.
40		233740	INTAKE SILENCER (WITH PARTS 41 TO 46)	1	1
41		233744	REAR SILENCER COVER	1	1
42		233743	FRONT SILENCER COVER	1	1
43		233747	SCREW ST 4,8X60	3	3
44		233741	AIR FILTER	1	1
45		233745	FRONT SUPPORT FOR FILTER	1	1
46		233746	REAR SUPPORT FILTER	1	1
50		233748	JUNCTION SLEEVE	1	1
51		221584	CLAMP 32-50	2	2

EXHAUST, SEAT, FUEL TANK



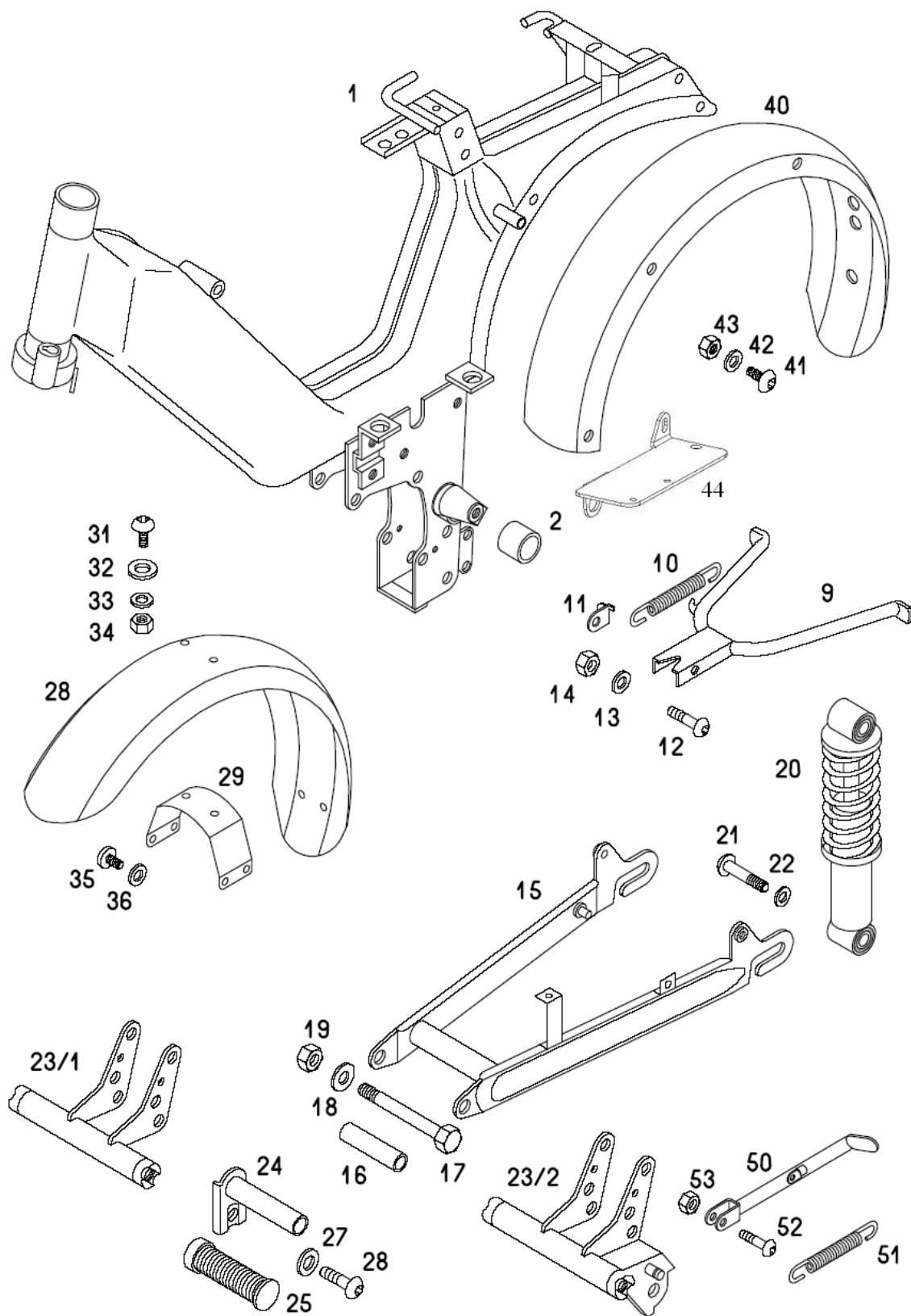
No.	*	Part No.	Denomination	A	B
1		233724	EXHAUST CPL	1	1
		242153S91	EXAUST COVER	1	1
		026705	SCREW	2	2
		031509	WASHER 6	2	2
2		227149	EXHAUST GASKET	1	1
3		031845	SPRING RING B6	2	2
4		030020	CAP NUT M6	2	2
5		026704	SCREW M8X20 (ISO 7380)	2	2
6		026690	SCREW M6X16 (ISO 7380)	3	3
7		031932	WASHER 6	9	9
8		031845	SPRING RING B6	6	6
9		031075	,NUT M6	4	4
10		229430	SEAT	1	1
11		222744	FRONT HINGE	1	1
12		222745	REAR HINGE	1	1
13		217646	SCREW	1	1
14		217647	SEAT HOLDER	1	1
15		217771	SEAT PLATE	1	1
16		200516	RUBBER BUSH	2	2
17		030040	NUT M6-SELFLOCKING	5	5
18		222227Z51	MOUNTING SLEEVE	1	1
19		026701	SCREW	2	2
20		031844	SPRING RING B5	2	2
21		031074	NUT M5	2	2
22		222749	HOLDER	1	1
23		026702	SCREW M8X14	1	1
24		031510	WASHER 8	1	1
25		031077	NUT M8	1	1
26		229494	TOOL TRAY	1	1
27		044419	SCREW	1	1
28		215341	WASHER D5,2XD14,5X1	1	1
29	L	242133S91	LUGAGGE-BLACK	1	1
30	L	229454	FUEL TANK PAINTED	1	1
30	L	229454	GUEL TANK LAK	1	1
31		229545	GAS CAP WITH LOCK - BLACK	1	1
31	Z	223840	GAS CAP WITH LOCK - CHROME	1	1
31	Z	222785	GAS CAP - BLACK (NON LOCKI	1	1
32		229455	FUEL FEED TAP	1	1
33		044531	FUEL LINE	m	m
34		224056	SPRING	4	4
35		221059	RUBBER INSERT PIECE	2	2
36		026692	SCREW M6X25 (ISO 7380)	1	1
37		217753	WASHER D6XD18	1	1
38		208323	RUBBER RING	2	2
39		208326	DISTANCE TUBE (L=10,5MM)	1	1
40		031933	WASHER 8	1	1
45		236608	FUEL FILTER	1	1
50		031933	WASHER 8	4	4
51		030041	NUT M8-SELFLOCKING	2	2

SIDE COVER, FARING



No.	*	Part No.	Denomination	A	B
1	1	242083LAK	RH SIDE COVER-BLACK	1	.
1	2	242094LAK	RH SIDE COVER-BLACK (PEDAL)	.	1
2		242084LAK	LH SIDE COVER-BLACK	1	1
3		026696	SCREW M6X50 (ISO 7380)	1	1
4		232949	DISTANCE TUBE	1	1
5		026689	SCREW M6X14 (ISO 7380)	1	1
6		031925	WASHER 6	2	2
7		229728	RUBBER INSERT PIECE	4	4
8		230853	RH SIDE COVER SUPPORT	1	1
9		208326	DISTANCE TUBE (L=10,5MM)	1	1
10		026692	SCREW M6X25 (ISO 7380)	1	1
11		031932	WASHER 6	1	1
12		030040	NUT M6-SELFLOCKING	1	1
13	L	242313	PROTECTOR BLACK	1	1
14		044419	SHEET SCREW 4,2X16	2	2
15		031930	WASHER 4	1	1
16		229779	CHAIN GUARD (BLACK)	1	1
17		044422	SHEET SCREW 4,8X13	2	2
18		031922	WASHER 5	2	2
19	N	229316	HEADLIGHT FAIRING	1	1
19	L	229317	FAIRING PAINTED	1	1
20		217753	WASHER D6XD18	2	2
21		030020	CAP NUT M6	2	2
22		229205	HEADLIGHT BRACKET RH	1	1
23		229206	HEADLIGHT BRACKET LH	1	1
24		232949	DISTANCE TUBE	2	2
25	N	229613	SIDE COVER BLACK PLASTIC	1	1
25	L	229614	SIDE COVER PAINTED RH	1	1
26	N	229615	COVER RH	1	1
26	L	229616	SIDE COVER PAINTED LH	1	1
27		222825	BRACKET	1	1
28		044419	SHEET SCREW 4,2X16	8	8
29		201993	RUBBER RING	6	6
30		044441	THRUST NUT 4,2	8	8
31		236904	SELF-ADHESIVE PATCH LH	1	1
32		236903	SELF-ADHESIVE PATCH RH	1	1

FRAME, REAR FORK, CENTRAL STAND



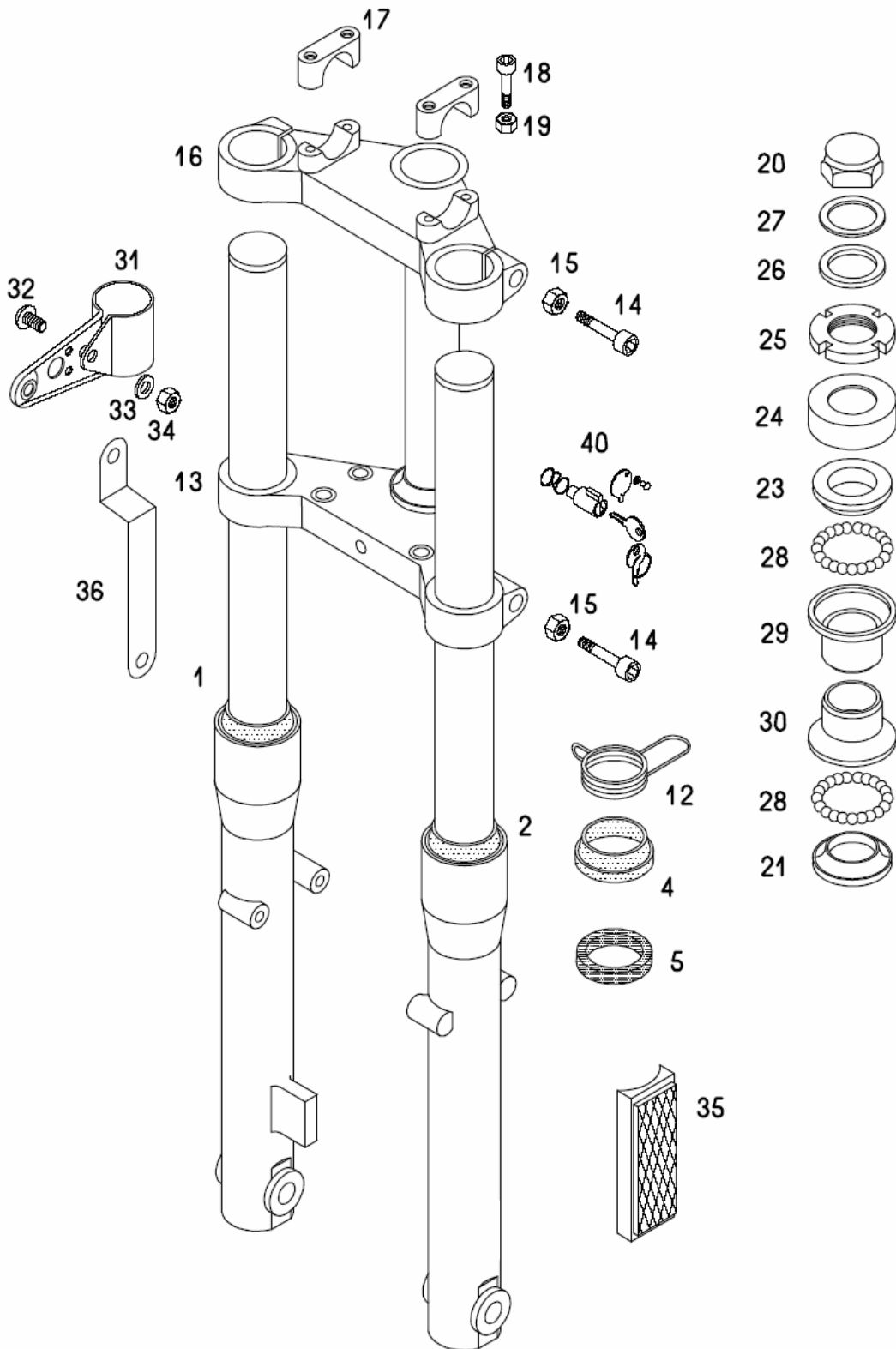
No.	*	Part No.	Denomination	A	B
1		242247LAK	FRAME PAINTED	1	1
2		209141	BEARING BUSH	2	2
9		229094	KICKSTAND (BLACK) - A35	1	1
10		200609	KICKSTAND SPRING	1	1
11		209143	SPRING CARRIER	1	1
12		026041	SCREW M8X1X70	1	1
13		031933	WASHER 8	1	1
14		030049	NUT M8X1-SELFLOCKING	1	1
15	L	242338LAK	SWING ARM PAINTED - A35	1	1
		237181	DIST.TUBE D26/12L6,2	2	2
16		209144	DISTANCE TUBE	1	1
17		237123	SCREW M12X1,25X120	1	1
18		031935	WASHER 13	1	1
19		030051	SCREW M12X1,25X120	2	2
20		227172	SHOCK ABSORBER (BLACK) - A	2	2
21		026699	SCREW M10X35 (ISO 7380)	4	4
22		031513	WASHER D10,5XD21X2	4	4
23	1	242198S91	SUPPORT BRACKET PAINTED	1	.
24	1	217174	SUPPORT BRACKE PAINTED WITH LAT.STAND	2	.
25		202881	FOOTPEG CPL.	2	.
26		026698	SCREW M10X25 (ISO 7380)	2	.
27		031848	SPRING RING B10	2	.
28	L	242055LAK	FRONT FENDER PAINTED	1	1
29	L	242056LAK	FRONT MUDGUARD HOLDER	1	1
31		026700	SCREW M5X10	2	2
32	1	031509	WASHER 6	2	2
33	2	031508	WASHER 5	2	2
34		030048	NUT M5-SELFLOCKING	2	2
35		026706	SCREW	4	4
36		031509	WASHER 6	4	4
40	L	230598	REAR FENDER PAINTED	1	1
41		026705	SCREW	6	6
42		031509	WASHER 6	6	6
43		031075	NUT M6	2	2
44		237224	RELAY SUPPORT	1	1

DECALS



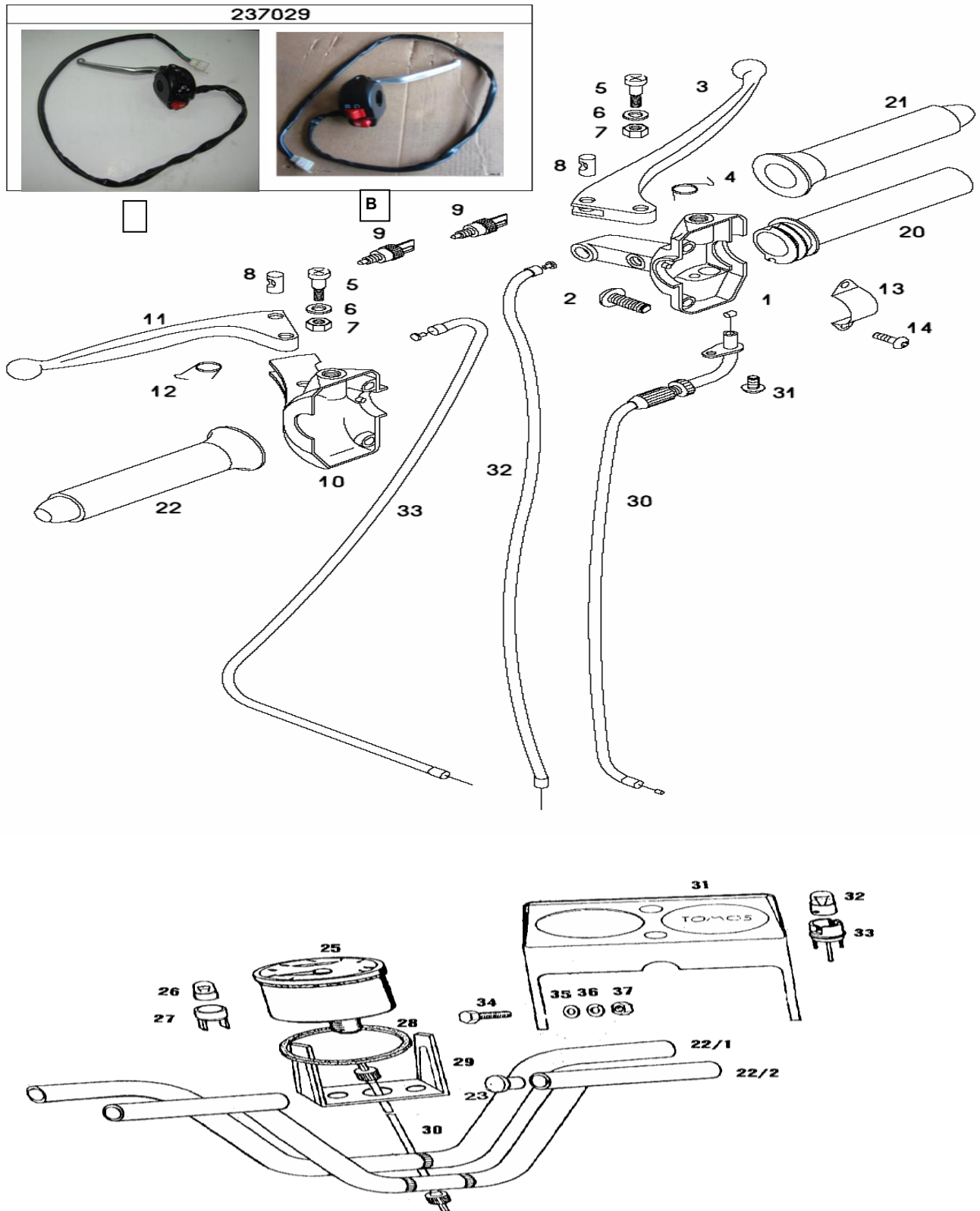
No.	*	Part No.	Denomination	A	B
1		236899	Decal* TOMOS LX-cpl	1	1
2		232930	"Decal ""Tomos""	2	2
		222839	"Decal ""On-Off-Res`"" "	1	1
		223518	"Decal ""oil mix 2%""	1	1
		236856	DECAL*WARNING-ONE RIDER	1	1
		236869	DECAL*WARNING-KEY	1	1
		236870	DECAL*WARNING-HELMET	1	1
		236871	DECAL*WARNING-ACCESSORIES	1	1
		236872	DECAL*WARNING-BATTERIES	1	1
		236873	DECAL*WARNING-LOAD WEIGHT	1	1
		236897	DECAL*WARNING-TIRE-2 1/4x16	1	1

FRONT FORK



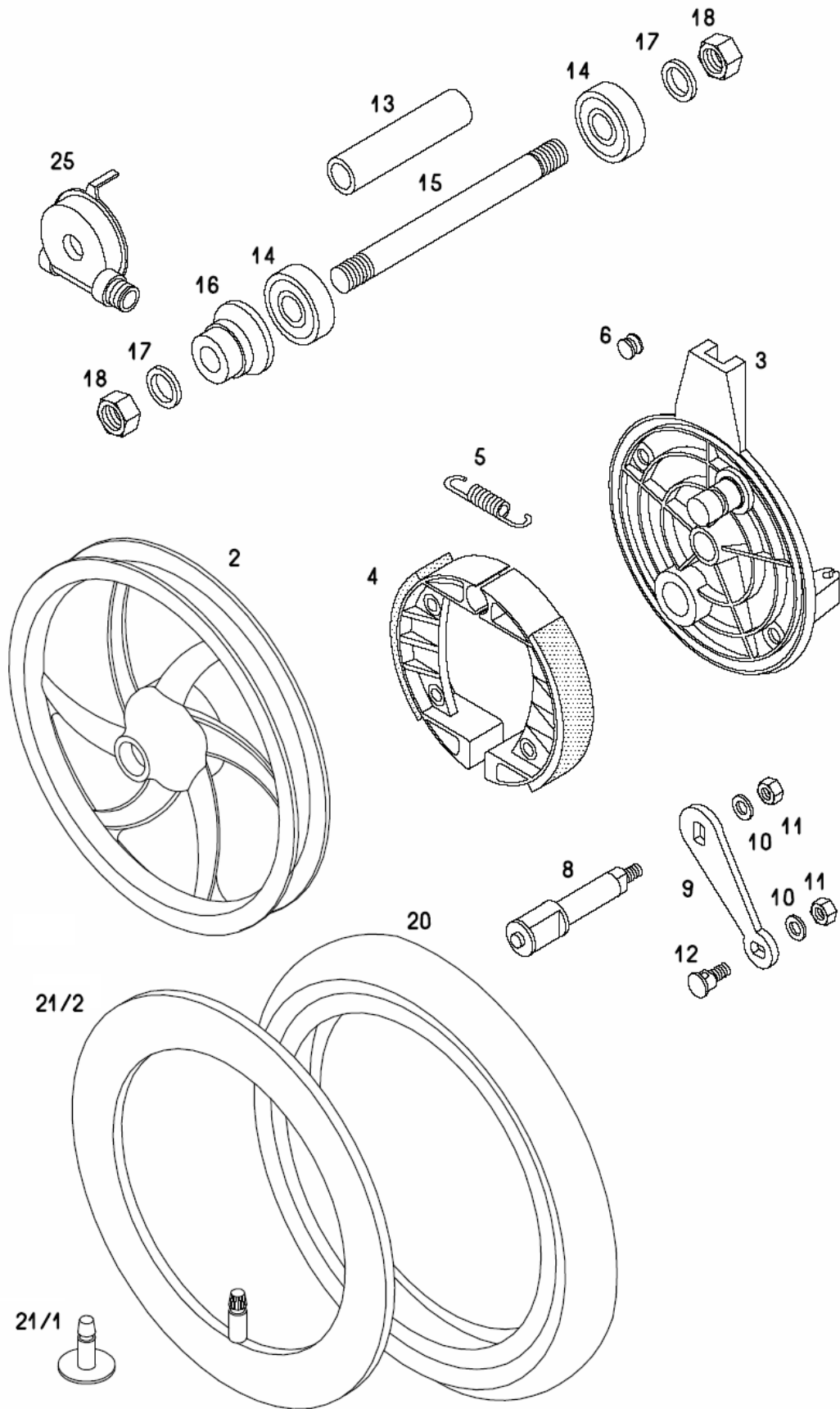
No.	*	Part No.	Denomination	A	B
-		236730	FRONT FORK WITH PARTS FROM 1-21,27	1	1
1	L	243184	RH FORK -WITH BRAKE ACCESSORIES	1	1
2	L	243185	LH FORK	1	1
4		243179	DUST COVER	2	2
5		243195	DUST COVER OIL		
12		232968	CLAMP	2	2
13	L	232907	LOWER YOKE PAINTED (REVIVA	1	1
14		026683	SCREW	4	4
15		031077	NUT M8	4	4
16	L	232908	UPPER YOKE PAINTED (PAINTE	1	1
17	L	232909	HANDLEBAR CARRIER PAINTED	2	2
18		026646	SCREW M6X45	4	4
19		031075	NUT M6-SELFLOCKING	4	4
20		219349	CROWN NUT	1	1
-		230741	HANDLEBAR BEARINGS CPL. -	1	1
21		200714	STEERING BEARING CONE	1	1
23		200714	STEERING BEARING CONE	1	1
24		200715	COVER (BRIGHT)	1	1
25		200717	GROOVED NUT	1	1
26	P	222848	WASHER (S=2MM)	1	1
27		206701	CROWN NUT WASHER (CHROME)	1	1
28		044535	BALL BEARING 5	42	42
29		223155	STEERING BEARING CUP (TOP)	1	1
30		223157	STEERING BEARING CUP (BOTT	1	1
31		233166	LAMP HOLDER	2	2
32		026692	SCREW M6X25 (ISO 7380)	2	2
33		031509	WASHER 6	2	2
34		030040	NUT M6-SELFLOCKING	2	2
35		227121	FRONT REFLECTOR	2	2
40		229293	LOCK	1	1

HANDLEBAR, SPEEDOMETER, MIRROR



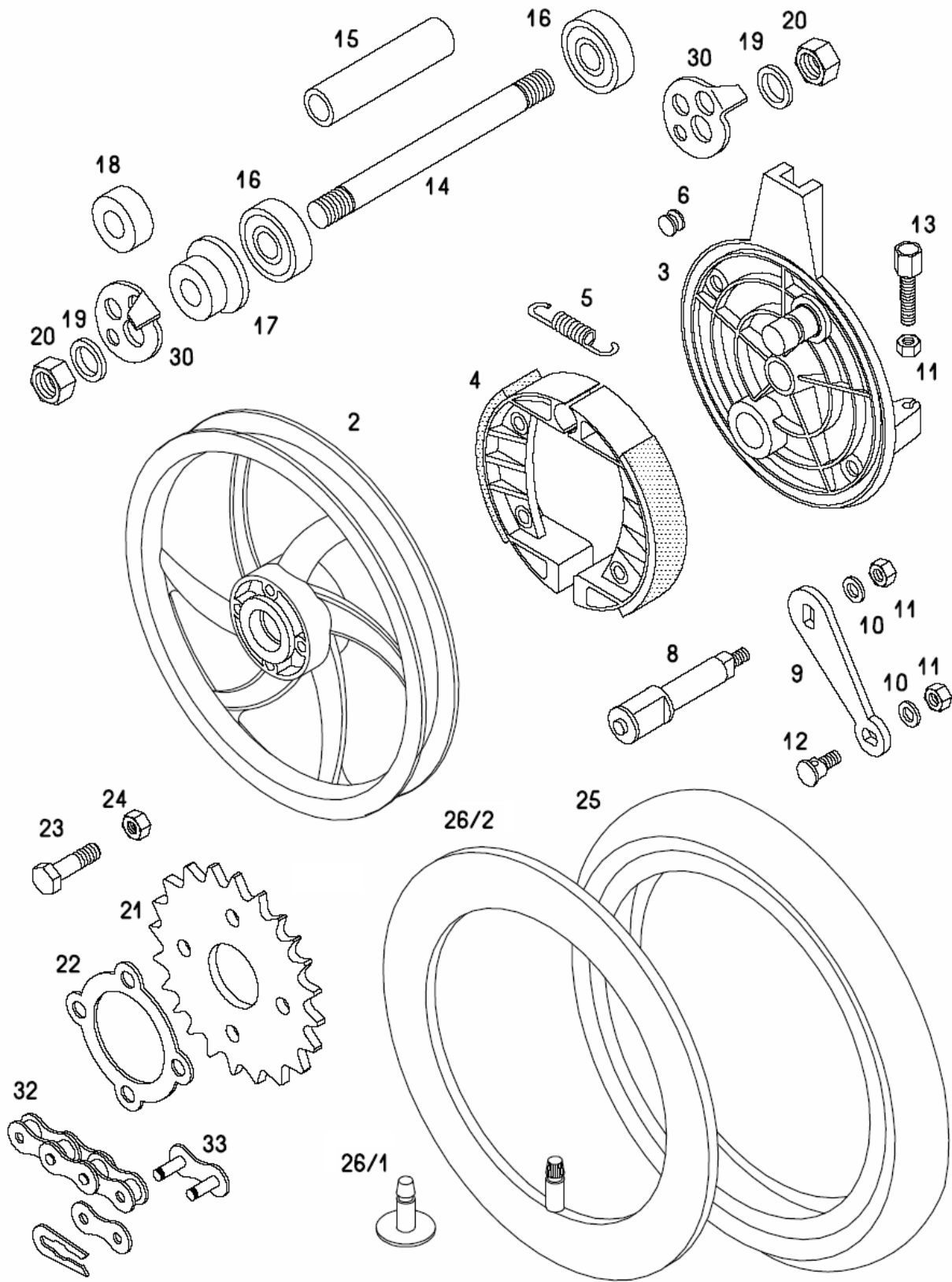
No.	*	Part No.	Denomination	A	B
22	2	242321S91	HANDLEBAR	1	1
24		236966	MIRROR LH	1	1
25		234369	SPEEDOMETER (MPH) WHITE	1	1
26		213998	BULB 12V-2W BA7S	1	1
27		213999	BULB HOLDER	1	1
28		219136	SPEEDOMETER GASKET	1	1
29		222301	SPEEDOMETER HOLDER (L=52MM)	1	1
30		217664	SPEEDOMETER CABLE L	1	1
31		222295	SPEEDOMETER HOUSING	1	1
32		044696	BULB 12V-2W BA9S	2	2
33		217679	BULB HOLDER	2	2
		237029	SET LEVERS WITH SWITCHES CPL		
A		237028	LEVER RH CPL	1	1
B		236988	LEVER LH CPL-	1	1
1		243236	LEVER RH WITH PARTS 1,3,4,5,6,7,13,14	1	1
2		243237	SCREW BLACK	4	4
3		243238	BRAKE LEVER RH	1	1
4		243239	SPRING RH	1	1
5		243240	SCREW CPL 5,6,7	1	1
8		221222	BOLT	2	2
9		232867	STOP SWITCH	2	2
10		243242	MOUNTING BRACKET LH 10,11,12,5,6,7,13,14	1	1
11		243244	BRAKE LEVER LH	1	1
12		243245	SPRING RH	1	1
13		243247	MOUNTING BRACKET LH - A35	2	2
14		026700	SCREW	2	2
		241099	GRIP CPL 20,21,22	1	1
20		243246	THROTTLE TWIST TUBE - A35	1	1
30		233728	THROTTLE CABLE	1	1
31		026700	SCREW	1	1
32		231226	FRONT BRAKE CABLE	1	1
33		230802	REAR BRAKE CABLE - A35	1	1

FRONT WHEEL



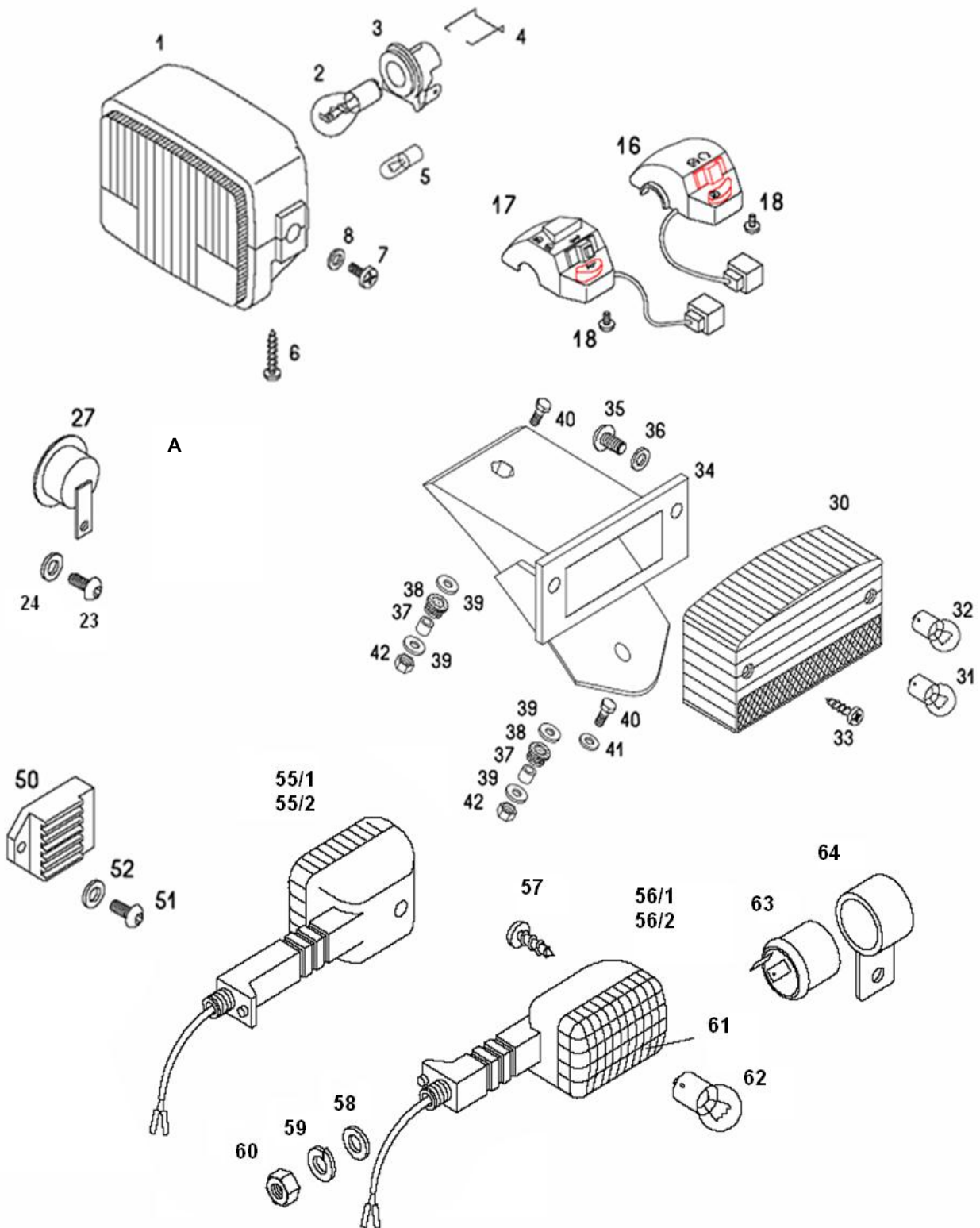
No.	*	Part No.	Denomination	A	B
2		236974	WHEEL FRONT	1	1
3		233155	FRONT BRAKE PLATE	1	1
4		230952	BRAKE SHOE - PAIR	1	1
5		229741	SPRING	2	2
6		227114	RUBBER PLUG	2	2
8		230954	BRAKE CAM	1	1
9		229684	BRAKE LEVER	1	1
10		031509	WASHER 6	2	2
11		031075	NUT M6	2	2
12		222581	BOLT	1	1
13		222568	DISTANCE BUSH	1	1
14		044225	BALL BEARING 12X32X10 (620	2	2
15		226086	FRONT AXLE	1	1
16		227485	DISTANCE BUSH (BLACK)	1	1
17		031935	WASHER 13	2	2
18		033022	NUT M12x1 SELFLOCKING	1	1
20		229079	TYRE 2.25 - 16 (38J SAVA MC2)	1	1
21	1	236327	VENTIL TUBELESS	.	.
21	2	044925	INNER TUBE 2 1/4-16 VENTIL VG8	1	1
25		230631	RH SPEEDOMETER DRIVE	1	1

REAR WHEEL



No.	*	Part No.	Denomination	A	B
2		236975	REAR WHEEL	1	1
3		233197	REAR BRAKE PLATE	1	1
4		230952	BRAKE SHOE - PAIR	1	1
5		229741	SPRING	1	1
6		227114	RUBBER PLUG	2	2
8		230954	BRAKE CAM	1	1
9		229684	BRAKE LEVER	1	1
10		031509	WASHER 6	2	2
11		031075	NUT M6	3	3
12		222581	BOLT	1	1
13		231358	ADJUSTING SCREW	1	1
14		230515	REAR AXLE	1	1
15		222569	DISTANCE BUSH	1	1
16		044225	BALL BEARING 12X32X10 (620	2	2
17		222883	DISTANCE BUSH (BLACK)	1	1
18		230668	DISTANCE BUSH	1	1
19		227450	WASHER D11.1XD20X2	1	1
20		209277	NUT M11X1	1	1
21		223119	REAR SPROCKET Z=28	1	1
22		222583	PROTECTIVE PLATE	1	1
23		026304	SCREW M7X25	4	4
24		031076	NUT M7	4	4
25		229079	"TYRE' 2.25-16 38J-MC2-S	1	1
26	2	044925	INNER TUBE 2 1/4-16 VENTIL VG8	1	1
30		209212	CHAIN TENSION ADJUSTER RH	1	1
31		209212	CHAIN TENSION ADJUSTER RH	1	1
32	2	206162	CHAIN (93 ROLLERS)	1	1
33	2	221607	CHAIN WASHER LINK	1	1
33	1	229189	CHAIN MASTER LINK	1	1

ELECTRIC PARTS



No.	*	Part No.	Denomination	A	B
1		227100	HEADLAMP (WITH PARTS 2-6)	1	1
2		044701	BULB 12V 25/25W BA20D	1	1
3		227102	BULB HOLDER	1	1
4		214657	CLAMP	1	1
5		044693	BULB 12V 4W BA9S	1	1
6		044432	SCREW ST 3,9X25	2	2
7		031509	WASHER 6	4	4
8		026690	NUT M6X16 (ISO 7380)	3	3
16		237129	SWITCH RIGHT WITH CABLE	1	1
17		237130	SWITCH LEFT WITH CABLE	1	1
18		232859	SCREW M5X22 BLACK	4	4
-		236977	CABLE WEB FRONT	1	1
-		241091	CABLE WEB MIDDLE	1	1
-		236978	CABLE WEB REAR	1	1
-		241092	CABLE WEB FOR REGULATOR	1	1
22		232918	NUT FOR IGNITION LOCK	1	1
		026706	SCREW M6X12(ISO 7380)	2	2
23		031509	WASHER 6	2	2
27		237179	HORN	1	1
30		223572	REAR LAMP (WITH PARTS 31 AND 32)	1	1
31		044698	BULB 12V 5W	1	1
32		044689	BULB 12V 10W	1	1
33		044439	SCREW ST 3,9X16	2	2
34		236963	REAR LAMP HOLDER	1	1
35		026690	SCREW M6X16(ISO 7380)	2	2
36		031509	WASHER 6,4	2	2
37		222187	DISTANCE BUSH L=7,5MM	1	1
38		219946	RUBBER INSERT PIECE	2	2
39		031925	WASHER D6,3XD18	4	4
40		044284	SCREW M6X22	2	2
41		217674	WASHER 6,4 D16	1	1
42		030040	NUT M6 SELFLOCKING	2	2
50		236733	WOLTAGE REGULATOR	1	1
55/1		232955	TRAFFICATOR FR WITH PARTS 17,32,33	1	1
55/2		232954	TRAFFICATOR FL WITH PARTS 17,31,32	1	1
56/1		232956	TRAFFICATOR RR WITH PARTS 17,32,33	1	1
56/2		232957	TRAFFICATOR RL WITH PARTS 17,32,33	1	1
57		230806	TRAFFICATOR GLASS	4	4
58		230807	TRAFFICATOR SCREW	4	4
59		031513	WASHER D10,5XD21X2	4	4
60		31848	SPRING RING B10	4	4
61		031110	NUT	4	4
62		044689	BULB 12V-10W BA15S	4	4
63		222428	FLASHER RELAY	1	1
64		222422	TRAFFICATOR HOLDER	1	1



TOMOS



TOMOS D.O.O.
MOTOINDUSTRIJA
ŠMARSKA CESTA 4
SLOVENIJA

TOMOS INC.
202 BEECHTREE BLVD.
GREENVILE, SC 29605
USA

TOMOS NEDERLAND B.V.
KWEKWEK 34 - 8161 PG EPE
POSTBUS 172 - 8160 AD EPE
NEDERLAND